

**PRODUCT DATA SHEET****Appearance & Shape:** To be free from any defect such as flow, burrs, unevenness etc; as per IEC standards**Effective parameters irrespective of material grade (per piece)**

Parameter	Value	Unit
Effective Length ( $L_e$ )	43.3	mm
Effective Area ( $A_e$ )	38	mm <sup>2</sup>
Effective Area ( $A_{Min}$ )	38	mm <sup>2</sup>
Effective Volume ( $V_e$ )	1647	mm <sup>3</sup>
Approx. Weight (without gap)	15.0	g/piece

**T1812 Coated (Green)****Test Conditions:** 10kHz/150mV/CFR COIL,N=01/ $L_0$ =Zero/25°C

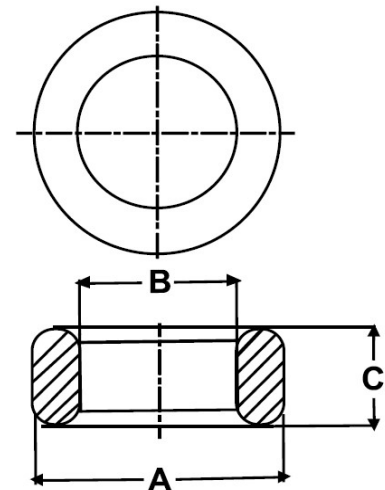
Material Grade	Initial Permeability ( $\mu_{iac}$ )	AL Value (nH)	D. Strength (kV)	Ordering code
CF195	5000 ±20%	5500 +30%/-20%	≥2.0	CF195 T1812 C
CF190	6000 ±20%	6600 +30%/-20%	≥2.0	CF190 T1812 C
CF197	7000 ±20%	7700 +30%/-20%	≥2.0	CF197 T1812 C
CF199	9000 ±20%	9900 +30%/-30%	≥2.0	CF199 T1812 C

**Dimensions Un-Coated Core (in mm)**

Dimension	Nominal	Maximum	Minimum
A	17.5	18.0	17.0
B	11.05	11.35	10.75
C	12.0	12.4	11.6

**Dimensions Coated Core (in mm)**

Dimension	Nominal	Maximum	Minimum
A	-	18.6	-
B	-	-	10.15
C	-	12.9	-



- Ferrite material for the product is in compliance with RoHS directive 2011/65/EU
- Epoxy Coating is UL Approved, UL file number E483791
- Coating material for the product is in compliance with RoHS directive 2011/65/EU

For general terms and conditions please visit

[http://www.cosmoferrites.com/Downloads/Downloads/bcb70e7c-ae33-40ec-a881-0d5120db57b6\\_GTC.pdf](http://www.cosmoferrites.com/Downloads/Downloads/bcb70e7c-ae33-40ec-a881-0d5120db57b6_GTC.pdf)**Regd. Office & Works: Jabli, Distt. Solan, Himachal Pradesh – 173 209 (India)****E-mail: sales@cosmoferrites.com**