

**PRODUCT DATA SHEET****Appearance & Shape:** To be free from any defect such as flow, burrs, unevenness etc; as per IEC standards**Effective parameters irrespective of material grade (per piece)**

| Parameter | Value | Unit |
|------------------------------|-------|-----------------|
| Effective Length (L_e) | 44.4 | mm |
| Effective Area (A_e) | 39.9 | mm ² |
| Effective Area (A_{Min}) | 39.9 | mm ² |
| Effective Volume (V_e) | 1773 | mm ³ |
| Approx. Weight (without gap) | 9.0 | g/piece |

**T1910 Coated (Green)****Test Conditions:** 10kHz/150mV/CFR COIL,N=01/ L_0 =Zero/25°C

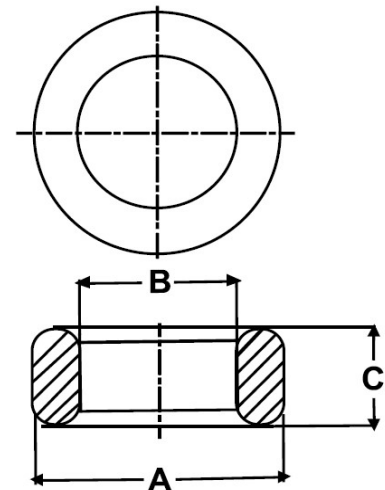
| Material Grade | Initial Permeability (μ_{iac}) | AL Value (nH) | D. Strength (kV) | Ordering code |
|----------------|--------------------------------------|-----------------|------------------|---------------|
| CF195 | 5000 ±20% | 5650 +30%/-20% | ≥2.0 | CF195 T1910 C |
| CF190 | 6000 ±20% | 6750 +30%/-20% | ≥2.0 | CF190 T1910 C |
| CF197 | 7000 ±20% | 7900 +30%/-20% | ≥2.0 | CF197 T1910 C |
| CF199 | 9000 ±20% | 10100 +30%/-30% | ≥2.0 | CF199 T1910 C |

Dimensions Un-Coated Core (in mm)

| Dimension | Nominal | Maximum | Minimum |
|-----------|---------|---------|---------|
| A | 19.0 | 19.4 | 18.6 |
| B | 10.8 | 11.1 | 10.5 |
| C | 10.0 | 10.3 | 9.7 |

Dimensions Coated Core (in mm)

| Dimension | Nominal | Maximum | Minimum |
|-----------|---------|---------|---------|
| A | - | 20.0 | - |
| B | - | - | 9.9 |
| C | - | 10.9 | - |



- Ferrite material for the product is in compliance with RoHS directive 2011/65/EU
- Epoxy Coating is UL Approved, UL file number E483791
- Coating material for the product is in compliance with RoHS directive 2011/65/EU

For general terms and conditions please visit

http://www.cosmoferrites.com/Downloads/Downloads/bcb70e7c-ae33-40ec-a881-0d5120db57b6_GTC.pdf**Regd. Office & Works: Jabli, Distt. Solan, Himachal Pradesh – 173 209 (India)****E-mail: sales@cosmoferrites.com**