

**PRODUCT DATA SHEET**

Appearance & Shape: To be free from any defect such as flow, burrs, unevenness etc; as per IEC standards

Effective parameters irrespective of material grade (per piece)

Parameter	Value	Unit
Effective Length (L_e)	43.6	mm
Effective Area (A_e)	38.4	mm ²
Effective Area (A_{Min})	38.4	mm ²
Effective Volume (V_e)	1675	mm ³
Approx. Weight (without gap)	8.7	g/piece

**T2008 Coated (Green)**

Test Conditions: 10kHz/150mV/CFR COIL,N=01/ L_0 =Zero/25°C

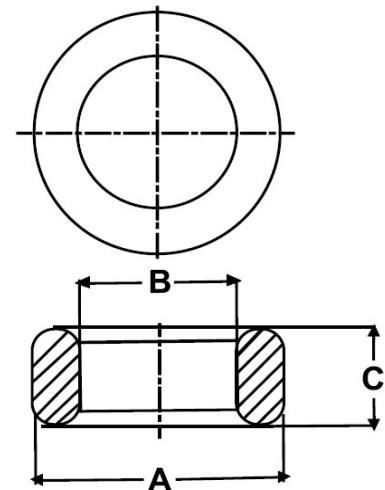
Material Grade	Initial Permeability (μ_{iac})	AL Value (nH)	D. Strength (kV)	Ordering code
CF195	5000 ±20%	5500 +30%/-20%	≥2.0	CF195 T2008 C
CF190	6000 ±20%	6600 +30%/-20%	≥2.0	CF190 T2008 C
CF197	7000 ±20%	7700 +30%/-20%	≥2.0	CF197 T2008 C
CF199	9000 ±20%	9900 +30%/-30%	≥2.0	CF199 T2008 C

Dimensions Un-Coated Core (in mm)

Dimension	Nominal	Maximum	Minimum
A	20.0	20.4	19.6
B	10.0	10.5	9.5
C	8.0	8.4	7.6

Dimensions Coated Core (in mm)

Dimension	Nominal	Maximum	Minimum
A	-	21.0	-
B	-	-	8.9
C	-	9.0	-



- Ferrite material for the product is in compliance with RoHS directive 2011/65/EU
- Epoxy Coating is UL Approved, UL file number E483791
- Coating material for the product is in compliance with RoHS directive 2011/65/EU

For general terms and conditions please visit

http://www.cosmoferrites.com/Downloads/Downloads/bcb70e7c-ae33-40ec-a881-0d5120db57b6_GTC.pdf

Regd. Office & Works: Jabli, Distt. Solan, Himachal Pradesh – 173 209 (India)

E-mail: sales@cosmoferrites.com