

**PRODUCT DATA SHEET****Appearance & Shape:** To be free from any defect such as flow, burrs, unevenness etc; as per IEC standards**Effective parameters irrespective of material grade (per piece)**

Parameter	Value	Unit
Effective Length ( $L_e$ )	37.3	mm
Effective Area ( $A_e$ )	78.1	mm <sup>2</sup>
Effective Area ( $A_{Min}$ )	78.1	mm <sup>2</sup>
Effective Volume ( $V_e$ )	2913	mm <sup>3</sup>
Approx. Weight (without gap)	14.0	g/piece

**T1528 Coated (Green)****Test Conditions:** 10kHz/150mV/CFR COIL,N=01/ $L_0$ =Zero/25°C

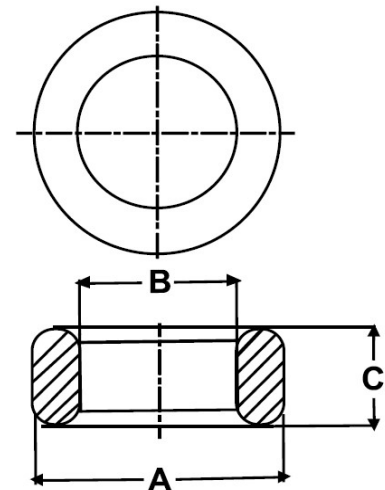
Material Grade	Initial Permeability ( $\mu_{iac}$ )	AL Value (nH)	D. Strength (kV)	Ordering code
CF195	5000 ±20%	13100 +30%/-20%	≥2.0	CF195 T1528 C
CF190	6000 ±20%	15800 +30%/-20%	≥2.0	CF190 T1528 C
CF197	7000 ±20%	18400 +30%/-20%	≥2.0	CF197 T1528 C
CF199	9000 ±20%	23700 +30%/-30%	≥2.0	CF199 T1528 C

**Dimensions Un-Coated Core (in mm)**

Dimension	Nominal	Maximum	Minimum
A	15.15	15.65	14.65
B	9.5	9.9	9.1
C	28.15	28.55	27.75

**Dimensions Coated Core (in mm)**

Dimension	Nominal	Maximum	Minimum
A	-	16.15	-
B	-	-	8.6
C	-	29.05	-



- Ferrite material for the product is in compliance with RoHS directive 2011/65/EU
- Epoxy Coating is UL Approved, UL file number E483791
- Coating material for the product is in compliance with RoHS directive 2011/65/EU

For general terms and conditions please visit

[http://www.cosmoferrites.com/Downloads/Downloads/bcb70e7c-ae33-40ec-a881-0d5120db57b6\\_GTC.pdf](http://www.cosmoferrites.com/Downloads/Downloads/bcb70e7c-ae33-40ec-a881-0d5120db57b6_GTC.pdf)**Regd. Office & Works: Jabli, Distt. Solan, Himachal Pradesh – 173 209 (India)****E-mail: sales@cosmoferrites.com**