

**PRODUCT DATA SHEET****Appearance & Shape:** To be free from any defect such as flow, burrs, unevenness etc; as per IEC standards**Effective parameters irrespective of material grade (per piece)**

| Parameter | Value | Unit |
|------------------------------|-------|-----------------|
| Effective Length (L_e) | 31.4 | mm |
| Effective Area (A_e) | 15.2 | mm ² |
| Effective Area (A_{Min}) | 15.2 | mm ² |
| Effective Volume (V_e) | 477 | mm ³ |
| Approx. Weight (without gap) | 2.5 | g/piece |

**T1306A Coated (Green)****Test Conditions:** 10kHz/150mV/CFR COIL,N=01/ L_0 =Zero/25°C

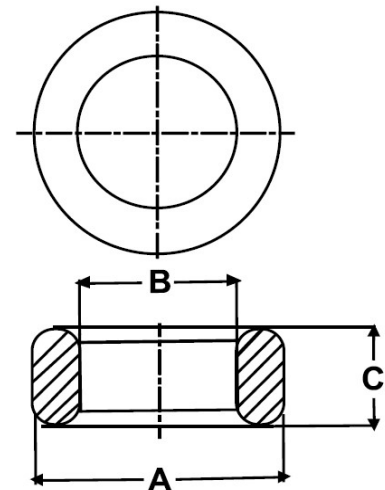
| Material Grade | Initial Permeability (μ_{iac}) | AL Value (nH) | D. Strength (kV) | Ordering code |
|----------------|--------------------------------------|----------------|------------------|----------------|
| CF195 | 5000 \pm 20% | 3050 +30%/-20% | \geq 1.5 | CF195 T1306A C |
| CF190 | 6000 \pm 20% | 3650 +30%/-20% | \geq 1.5 | CF190 T1306A C |
| CF197 | 7000 \pm 20% | 4250 +30%/-20% | \geq 1.5 | CF197 T1306A C |
| CF199 | 9000 \pm 20% | 5500 +30%/-30% | \geq 1.5 | CF199 T1306A C |

Dimensions Un-Coated Core (in mm)

| Dimension | Nominal | Maximum | Minimum |
|-----------|---------|---------|---------|
| A | 12.9 | 13.15 | 12.65 |
| B | 7.9 | 8.1 | 7.7 |
| C | 6.2 | 6.4 | 6.0 |

Dimensions Coated Core (in mm)

| Dimension | Nominal | Maximum | Minimum |
|-----------|---------|---------|---------|
| A | - | 13.65 | - |
| B | - | - | 7.2 |
| C | - | 6.9 | - |



- Ferrite material for the product is in compliance with RoHS directive 2011/65/EU
- Epoxy Coating is UL Approved, UL file number E483791
- Coating material for the product is in compliance with RoHS directive 2011/65/EU

For general terms and conditions please visit

http://www.cosmoferrites.com/Downloads/Downloads/bcb70e7c-ae33-40ec-a881-0d5120db57b6_GTC.pdf**Regd. Office & Works: Jabli, Distt. Solan, Himachal Pradesh – 173 209 (India)****E-mail: sales@cosmoferrites.com**